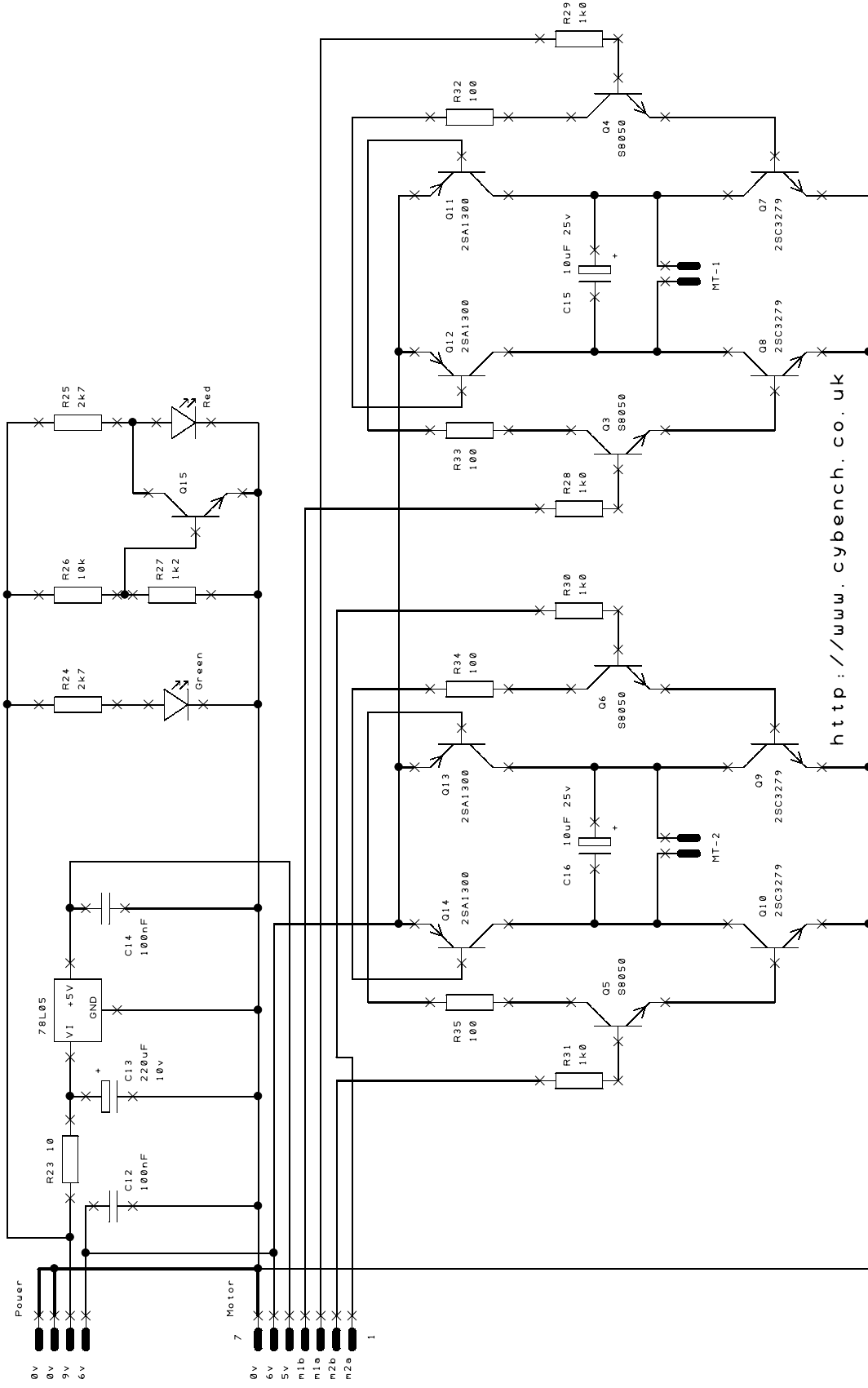


# POWER / MOTOR Ver 1.0 PCB



<http://www.cybench.co.uk>