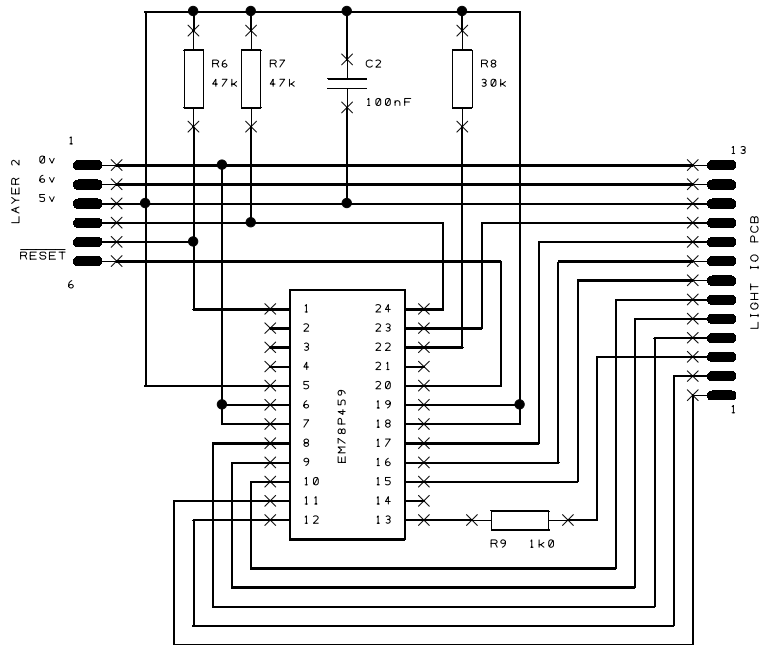


PROCESSOR 1 Ver 2.0 PCB



<http://www.cybench.co.uk>